

PORTABLE SAMPLERS



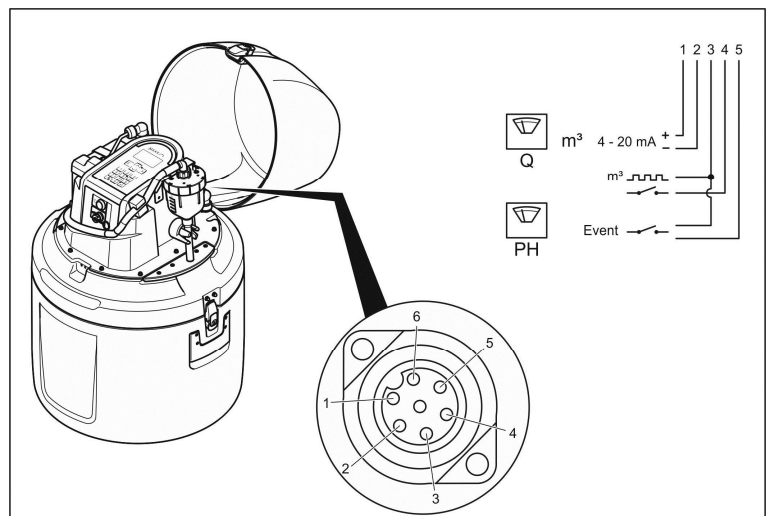
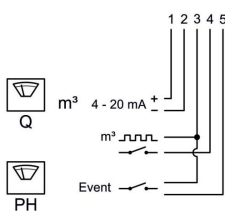
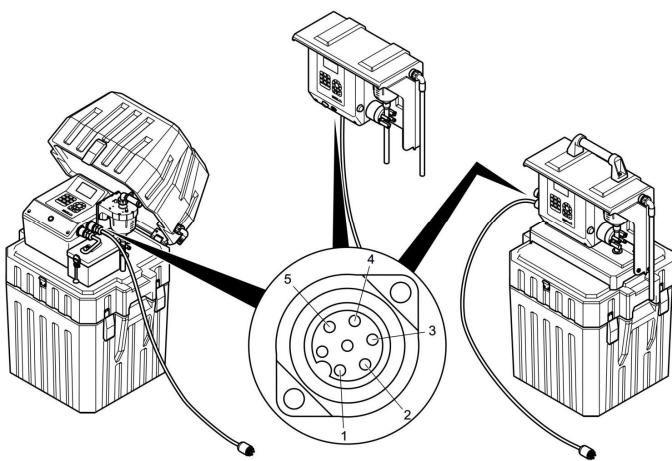
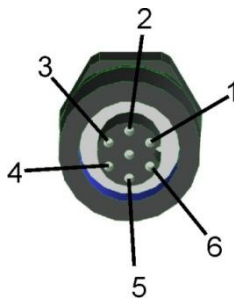
- 1 = braun / brown
- 2 = weiß / white
- 3 = grau / grey
- 4 = gelb / yellow
- 5 = grün / green

Label attached at the cable

No. 0069644 Flow signal cable, length 10 m (with open cable end)

Pin assignment of the plug:

- 1 = Flow analogue +
- 2 = Flow analogue -
- 3 = COM
- 4 = Flow digital (pulse)
- 5 = Event digital (pulse)
- 6 = Volt-free



STATIONARY SAMPLERS

Prepare the electrical installation (SP5 B)

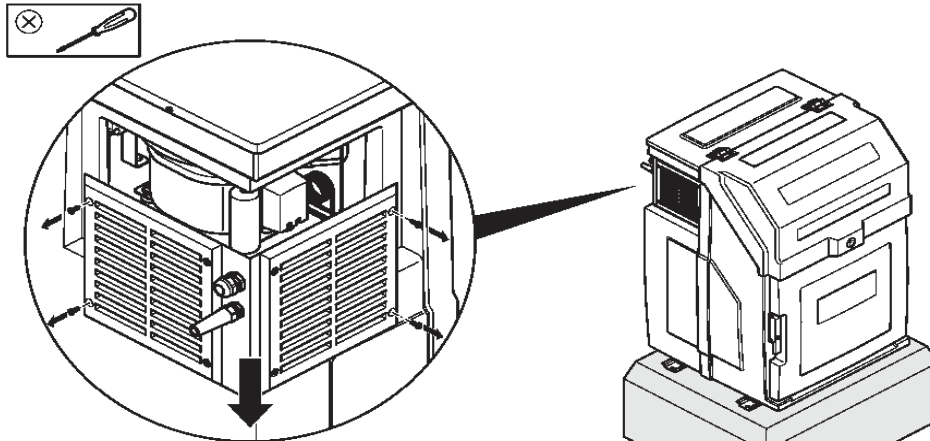


Figure 13 Loosen the screws and remove the cover (SB5 B)

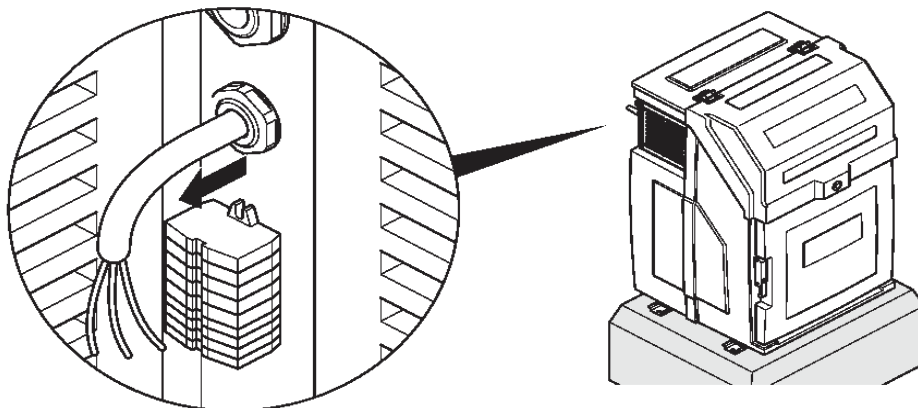
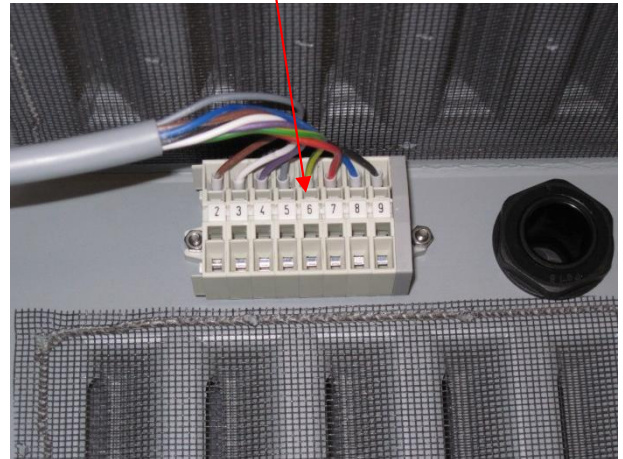
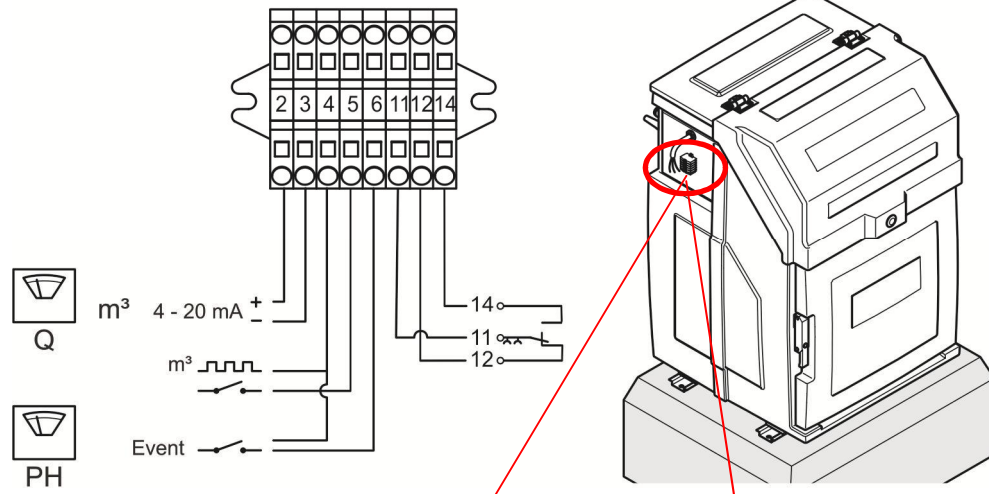
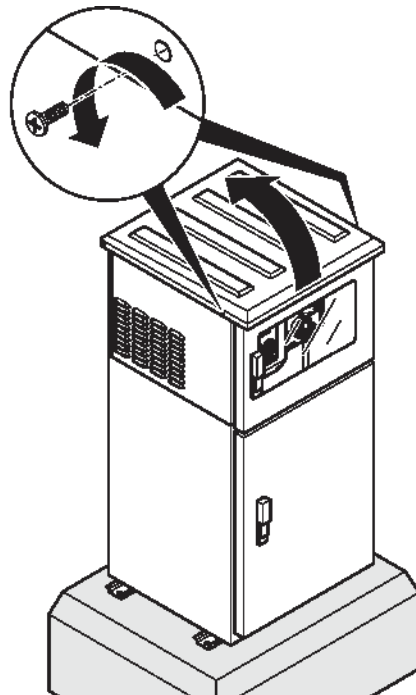


Figure 14 Feed cable through (SB5 B)

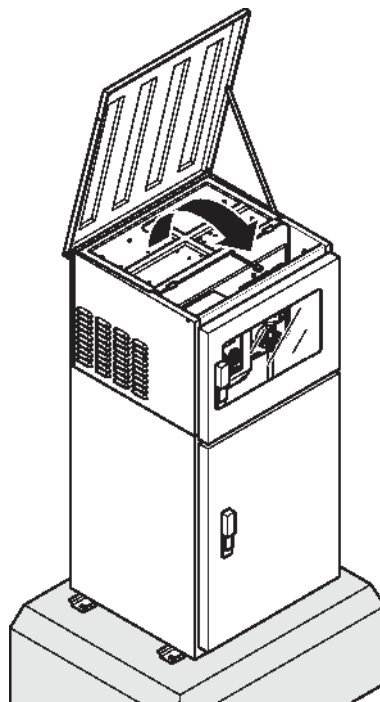
SP5 B



SP5 S



Loosen the lid screws and open the lid (SP5 S-SP5 S-MS)



Lift up the cover (SP5 S-SP5 S-MS)

In: DC12V
Out: AC250V/2×8 A

Pin assignment: relay
Kontaktbelegung: Relais

